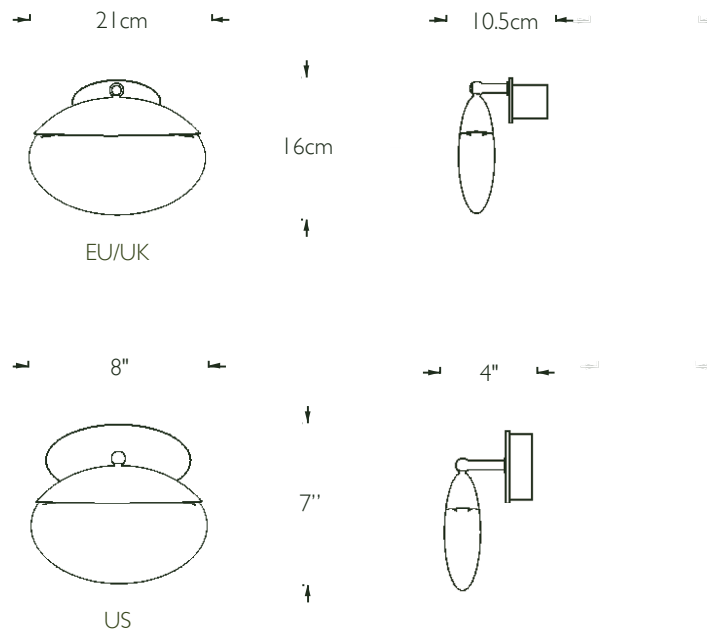


OCHRE



colours shown are a general indication of the actual finish

antique brass
satin nickel
blackened nickel



wall light:

oval back plate - 10cm w x 4.3cm d (6.5" w x 1 1/4" d to fit 2" x 4" J-box)
 overall - 21cm w x 10.5cm d x 16cm h (8" w x 4" d x 7" h)
 pebble - 21cm w x 5cm d x 12.5cm h (8" w x 2" d x 5" h)

light source:

2x LED total, each 1W, 2700K, approx 80 lumens,
 US dimmable, EU/UK not dimmable (dimmable with remote driver,
 please enquire), UL listed

installation:

driver housed within wall fitting
 qualified electrician necessary for installation

weight:

approx 3kg (7lbs)

also available:

round back plate (US only to fit 4" x 4" J-box)
 overall - 8" w x 4" d x 8" h

gaia wall light

solid glass drop illuminated by LED, antique brass, blackened or satin nickel cap with matching wall canopy